

## **CC CABLE KIT : INSTRUCTIONS FOR USE**

**STARTING FROM THE MONTH OF AUGUST 2021 THE POWER CONNECTION CONNECTORS BETWEEN THE HV BOX AND THE WECO 5K3 BATTERIES WILL BE MODIFIED. THIS TECHNICAL NOTE EXPLAINS HOW TO HANDLE POSSIBLE PROBLEMS BETWEEN DEVICES WITH DIFFERENT CONNECTIONS.**

For technical reasons, starting from August 2021 the current Amphenol RADSOK® type power connectors installed on the HV BOX (ref. code ZST-HV-BOX), on the Weco 5K3 batteries (ref. code ZST-BAT-6KWH-W) and the related power cables, will be replaced with Weco POWSOK® type connectors. Although the two connectors types may appear similar to each other, the Amphenol model is not compatible with the Weco model; we therefore ask you to pay attention to the instructions given in this document in order to avoid errors during installation.

### **1. How to recognize a device with Amphenol connectors from one with Weco connectors?**

In order to clearly differentiate devices with different connectors, a green dot-shaped label has been placed on the outer side of the packaging of those devices that are equipped with the new Weco connectors. We therefore ask you to pay attention to the possible presence of this label.

In addition, devices with Weco connectors will be recognizable by the presence of round-shaped black caps protecting the connectors (unlike the red caps used on Amphenol connectors).



### **2. How to realize the power connections between devices with green dot-shaped label?**

Devices that have a green dot-shaped label on the outer packaging (or that have black caps to protect the connectors) are equipped with a Weco connector. The connection of these devices requires the use of the kit normally included inside their packaging.

### **3. How to realize the power connections between devices without a green dot-shaped label?**

Devices that do not have a green dot-shaped label on the external packaging (or that have red caps to protect the connectors) are equipped with an Amphenol connector. Also in this case the connection of the devices requires the use of the kit normally included inside their packaging.

**4. How to realize the power connections between devices with green dot-shaped labels and devices without green dot-shaped labels?**

In the case of "mixed" installations between devices with and without a green dot-shaped label on the packaging, it is necessary to use the cable kit contained in this envelope (**Yellow CC KIT**).

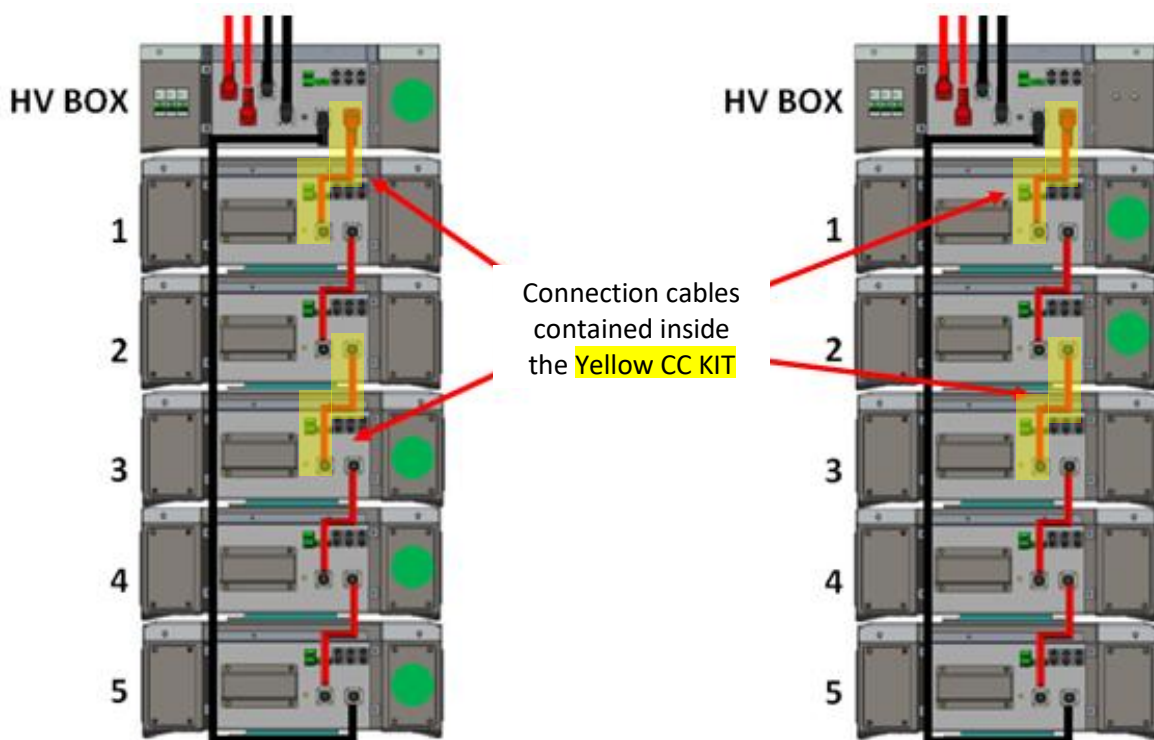
This kit contains 2x cables of 25 cm length equipped with an Amphenol connector on one end and a Weco connector on the other end.

The first cable must be used to connect an HV BOX with a green dot-shaped label (Weco connectors) together with a battery without a green dot-shaped label (Amphenol connector).

The second cable will connect a battery with a green dot-shaped label (Weco connector) with a battery without a green dot-shaped label (Amphenol connector).

The same procedure can be performed in the case of expansion of an existing installation, in which there batteries and HV BOX with Amphenol connectors are present and new batteries with Weco connectors are added.

Below is an example of such installations.



Example of a new "mixed" installation

Example of extension of an existing installation

**Remark:** in order to carry out this installation it is necessary that at least the last battery is equipped with the same connectors as the HV BOX.

**Remark:** please do not refer to the color of the connector inside the kit, but only to its type, as the color of the male connector of the cable may not coincide with that of the female connector on the device.

**5. How to realize the power connections between HV BOX with green dot-shaped labels and batteries without green dot-shaped labels (and vice versa)?**

In the case where the installation involves the use of an HV BOX equipped with Weco connectors and all the batteries are equipped with Amphenol connectors (and vice versa), it is necessary to request the **BLUE CL cable KIT** and refer to the relative instructions.

For more information and assistance, you can call number +39 800 72 74 64 (active from Monday to Friday from 8.30 to 18.00 and on Saturday from 8.30 to 12.30) or send a request via the designated service form at [www.zcsazzurro.com/EN](http://www.zcsazzurro.com/EN) section ASSISTANCE.