

CCL CABLE KIT : INSTRUCTIONS FOR USE

STARTING FROM THE MONTH OF AUGUST 2021 THE POWER CONNECTION CONNECTORS BETWEEN THE HV BOX AND THE WECO 5K3 BATTERIES WILL BE MODIFIED. THIS TECHNICAL NOTE EXPLAINS HOW TO HANDLE POSSIBLE PROBLEMS BETWEEN DEVICES WITH DIFFERENT CONNECTIONS.

For technical reasons, starting from August 2021 the current Amphenol RADSOK® type power connectors installed on the HV BOX (ref. code ZST-HV-BOX), on the Weco 5K3 batteries (ref. code ZST-BAT-6KWH-W) and the related power cables, will be replaced with Weco POWSOK® type connectors. Although the two connectors types may appear similar to each other, the Amphenol model is not compatible with the Weco model; we therefore ask you to pay attention to the instructions given in this document in order to avoid errors during installation.

1. How to recognize a device with Amphenol connectors from one with Weco connectors?

In order to clearly differentiate devices with different connectors, a green dot-shaped label has been placed on the outer side of the packaging of those devices that are equipped with the new Weco connectors. We therefore ask you to pay attention to the possible presence of this label.

In addition, devices with Weco connectors will be recognizable by the presence of round-shaped black caps protecting the connectors (unlike the red caps used on Amphenol connectors).



2. How to realize the power connections between devices with green dot-shaped label?

Devices that have a green dot-shaped label on the outer packaging (or that have black caps to protect the connectors) are equipped with a Weco connector. The connection of these devices requires the use of the kit normally included inside their packaging.

3. How to realize the power connections between devices without a green dot-shaped label?

Devices that do not have a green dot-shaped label on the external packaging (or that have red caps to protect the connectors) are equipped with an Amphenol connector. Also in this case the connection of the devices requires the use of the kit normally included inside their packaging.

4. How to realize power connections between devices equipped with green dot-shaped labels and devices without green dot-shaped labels?

In the case of "mixed" installations between devices marked with and without a green dot-shaped labels on the packaging, it is necessary to use the cable kit contained in this envelope (**RED CCL KIT**).

This kit contains 2x 25 cm long cables and one 250 cm long cable equipped with an Amphenol connector on one end and a Weco connector on the other end.

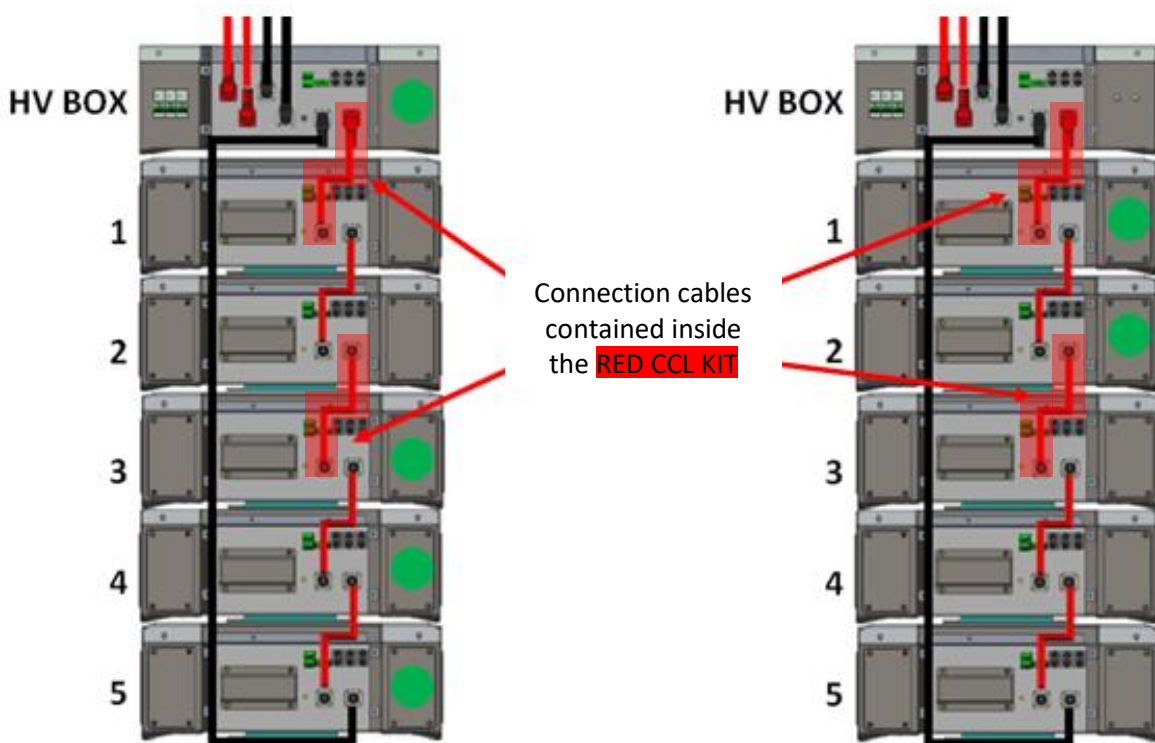
This kit allows the resolution of all cases in which there may be devices with connectors of different types; in particular:

- The short cables can be used for the connection between batteries and HV BOX or between batteries and batteries equipped with different connectors.
- Long cables are used for the connection between the HV BOX and the battery at the base of the tower, in case these two devices have different connectors.

Remark: for a correct installation, batteries with the same type of connector must be grouped on top of each other; in any case, please do not alternate batteries with different connectors in the same stack.

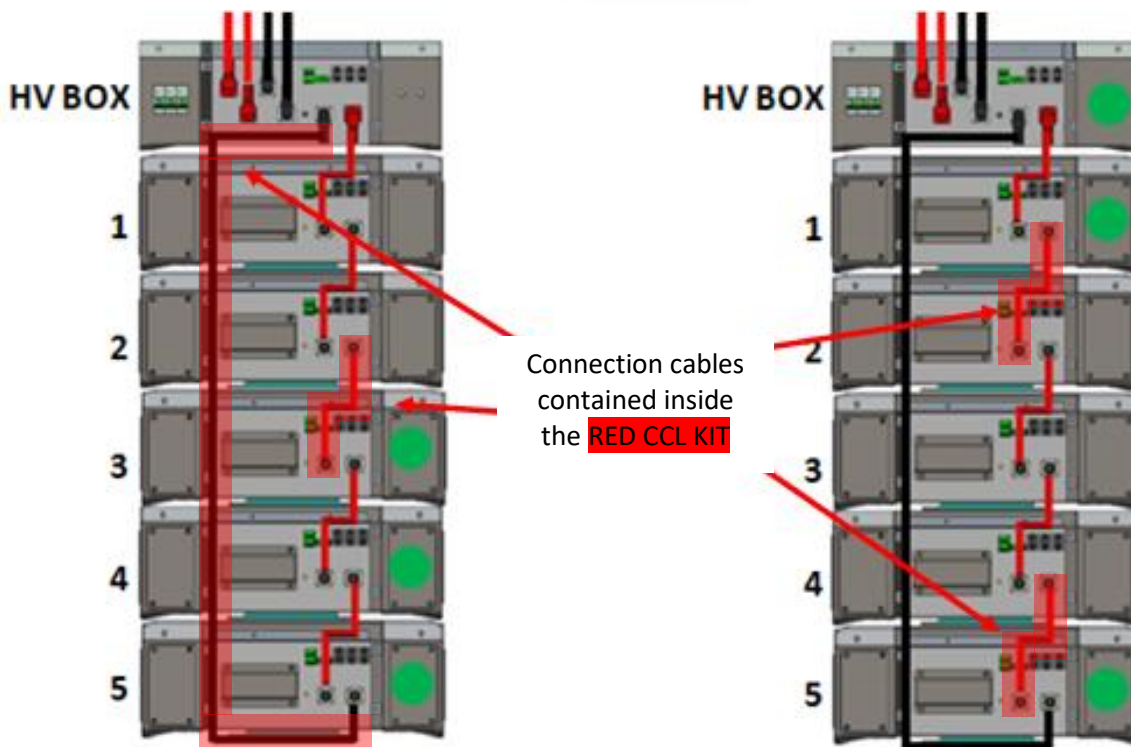
Remark: please do not refer to the color of the connector inside the kit, but only to its type, as the color of the male connector of the cable may not coincide with that of the female connector on the device.

Here are some installation examples.

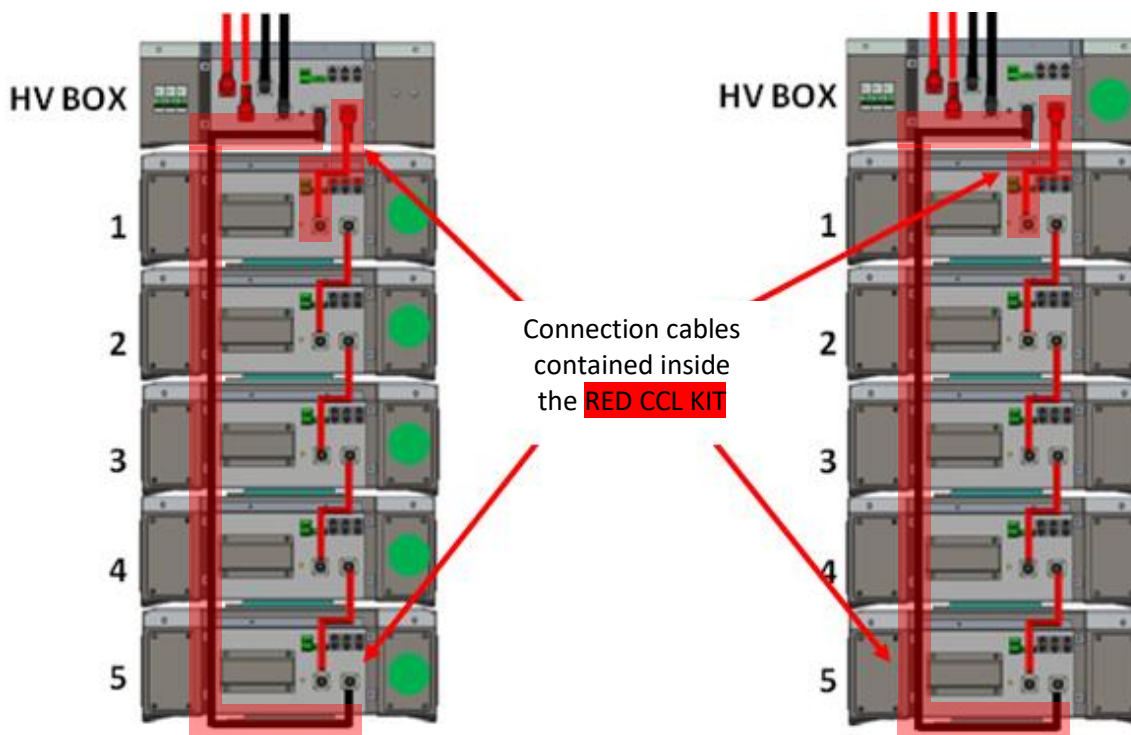


Example of a new "mixed" installation

Example of extension of an existing installation



Example of a new "mixed" installation



Example of HV Box with Amphenol connectors and batteries with Weco connectors

Example of HV BOX with Weco connectors and batteries with Amphenol connectors

For more information and assistance, you can call number +39 800 72 74 64 (active from Monday to Friday from 8.30 to 18.00 and on Saturday from 8.30 to 12.30) or send a request via the designated service form at www.zcsazzurro.com/EN section ASSISTANCE.